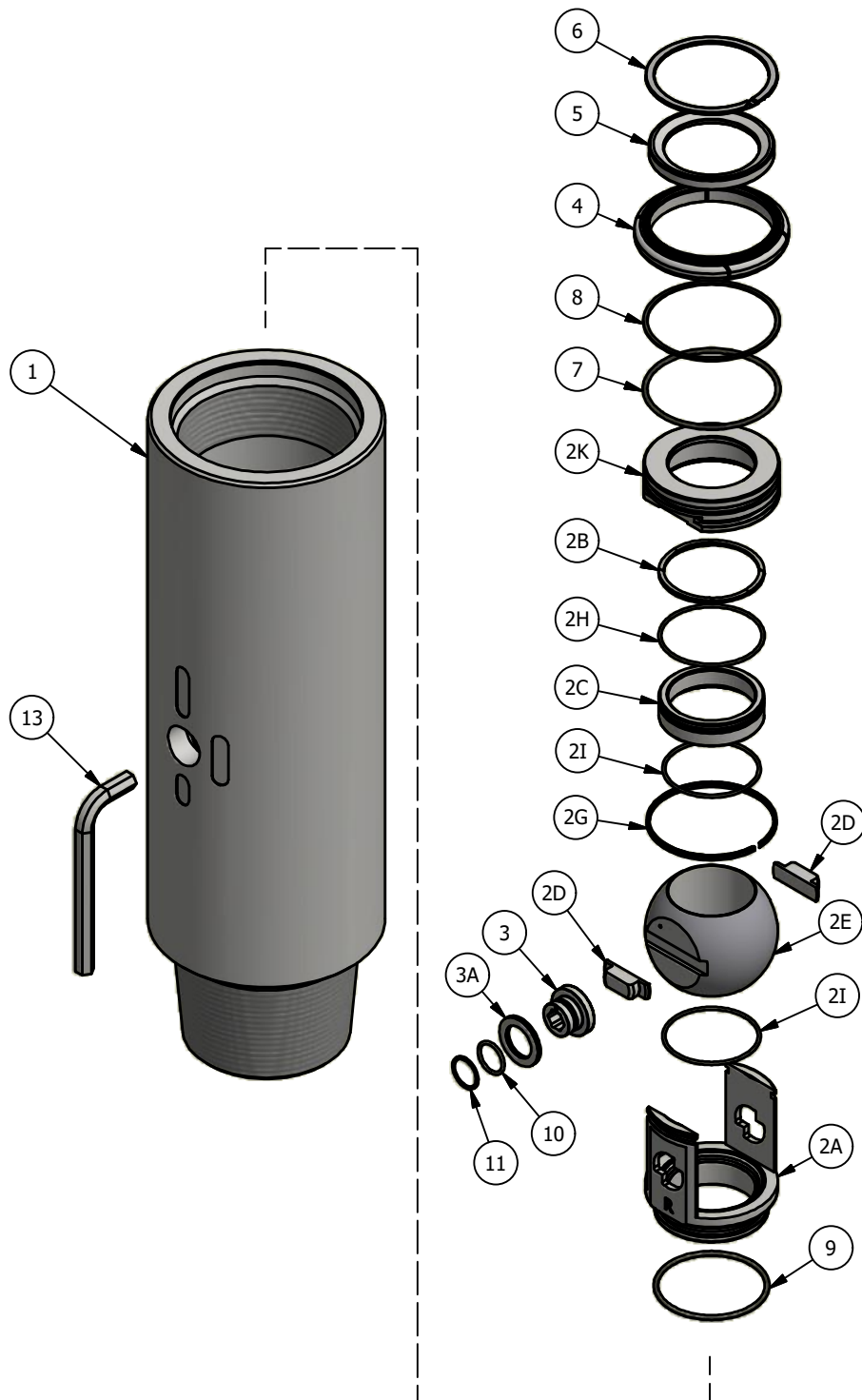


CANISTER GUARD UPPER & LOWER ONE PIECE KELLY VALVE



PARTS LIST		
ITEM	QTY	DESCRIPTION
1	1	VALVE BODY
2	1	COMPLETE CANISTER ITEMS 2A-2K, 7, 8, 9
2A	1	CAGE
2B	1	SPRING
2C	1	UPPER SEAT
2D	2	STEM LINK
2E	1	BALL
2G	1	CAGE/SEAT FASTENER
2H	1	UPPER SEAT O-RING
2I	2	UPPER/LOWER SEAT TEFLON RING
2K	1	UPPER SEAT HOUSING
3	1	STEM
3A	1	THRUST BEARING
4	1	LOCKING SEGMENTS
5	1	SUPPORT RING
6	1	SPIRAL RETAINER RING
7	1	UPPER SEAT HOUSING O-RING
8	1	UPPER SEAT HOUSING BACK-UP RING
9	1	CANISTER O-RING
10	1	STEM O-RING
11	1	STEM BACK-UP RING
13	1	WRENCH
14		MAJOR SEAL KIT ITEMS 2H, 2I, 7, 8, 9, 10, 11
15		MAJOR PARTS KIT ITEMS 2, 3, 3A, 10, 11

NOTE: THIS ASSEMBLY IS APPLICABLE FOR THE FOLLOWING STANDARD CANISTER SIZES:
1) 3-82

M&M^{INTL}

M&M International
P.O. Box 321
Cade, LA 70519
(337) 364-4145

DOCUMENT NUMBER: MM-GAD-1PKV-382
REVISION NUMBER: 0
DOCUMENT DATE: JUNE 10, 2019
APPROVED BY: J. HINCAPIE

PROPERTY OF M&M INTERNATIONAL, INC. REPRODUCTION IN ANY FORM IS PROHIBITED WITHOUT WRITTEN, SIGNED AUTHORIZATION. MANUFACTURING FROM THIS PRINT EXPRESSES NO WARRANTY AS TO ACCURACY AND/OR WORKABILITY.